



## FEATURES

- A five-micron filter removes solids and bulk liquids
- Second 0.01 micron filter removes remaining oil vapors and corrosive gases
- Independent gauges and regulators monitor air flow for camera and lens
- Bypass option for easy filter replacement
- Low maintenance and no tools required

## IST-QUADTEK M407 AIR FILTER Two-Stage Air Filter

The IST-Quadtek video imaging systems owe much of their long-life and reliability to the use of cooling purge air which serves to cool and clean the camera enclosure and lens. A constant supply of clean air is essential for proper camera operation and protection. The supply air used for this purpose is a potential source of dirt, oil, water, and chemical contaminants and requires filtering before use. The M407 Two-Stage Air Filter provides clean air in industrial environments. The M407 is used in applications where there is a higher air contaminate content level, and the maximum flow needed is 129 SCFM @ 100 psig.

imaging systems

A Mirion Technologies Division

Featuring:

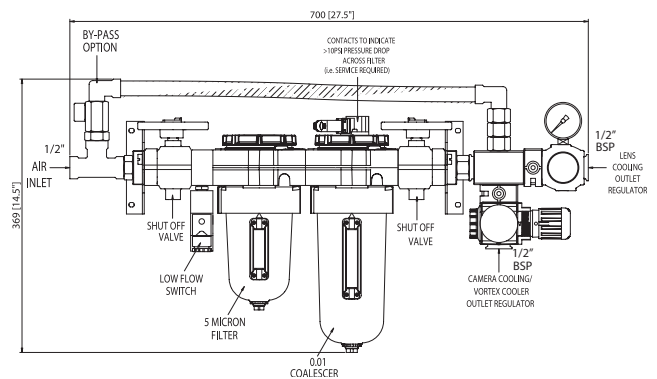
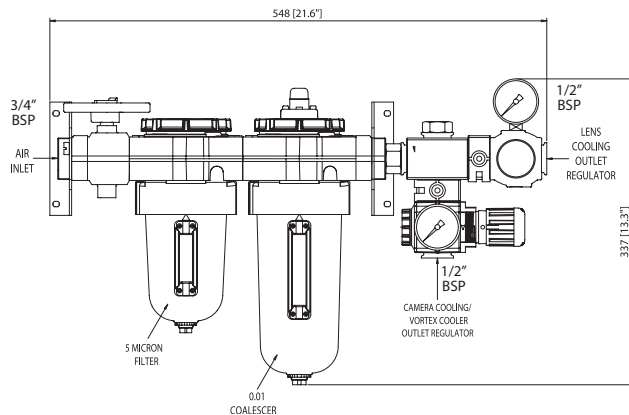
 **ist-quadtek**

## SPECIFICATIONS AND PERFORMANCE

Maximum Operating Temperature	65°C (150°F)
Maximum System Air Flow (WET)	37 dm <sup>3</sup> s <sup>-1</sup> (78 scfm) @ 100 psig inlet.
Maximum Inlet Pressure	246 psig (1700 kPa) (17 bar g)
Lens Cooling Pressure Regulation	0 to 58 psig (0 to 400 kPa) (0~4 bar g)
Pressure Regulation Purge Camera Cooling Vortex Camera Cooling	0 to 58 psig (0 to 400 kPa) (0~4 bar g) 0 to 160 psig (34 to 1104 kPa)
M407 Air Filter with Vortex Regulator	548mm H x 337 mm W x 168mm D (21.6" H x 13.3" W x 6.6" D)
Maximum Dimensions (Bypass Version)	700mm H x 369mm W x 168mm D (27.5" H x 14.5" W x 6.6" D)
M407 Air Filter with Purge Air regulator	GAS.00341 gauge (0~4 bar)
M407 Air Filter with Options	GAS.00344, includes: Purge air regulator Filter bypass with low pressure switch Alarm contacts for electronic service indicator
M407 Air Filter with Vortex Regulator	GAS.00340 gauge (0~10 bar)
M407 Air Filter with Options	GAS.00343 gauge (0~4 bar), includes: Vortex Regulator Filter bypass with low pressure switch Alarm contacts for electronic service indicator
M407 Cooling Hose - Reinforced Rubber (-40 to 100°C)	6 meters (20 feet)
Net Weight (actual weight varies with options selected)	8 kg (18 lbs)
Shipping Weight	Approximately 9 kg (20 lbs)

## OPTIONS

BSP to NPT Adaptor Kit	KIT.00060
High Temperature Air Hoses (x 10m) [33ft]	/HT_407
High Temperature Air Hoses (x6m) [20 ft]	/HT6M_407
Water Separator	/WS_400



© Copyright 2009. All rights reserved for trademark and registered trademark information.

The above specifications may vary according to system configuration. Mirion Technologies Incorporated reserves the right to amend or change the information on this sheet without prior warning.  
03/09



**MIRION**  
TECHNOLOGIES

315 Daniel Zenker Drive  
200 IST Center  
Horseheads, NY 14845  
USA  
T +1.607.562.4369  
+1.800.432.1478  
F +1.607.562.4392

Station Road  
Alton, Hampshire  
GU34 2PZ, UK  
T 01420.541600  
F 01420.541700

19501 144th Ave NE  
Suite C400, Woodinville  
WA 98072, USA  
T +1 425 487 3385  
F +1 425 4873375

